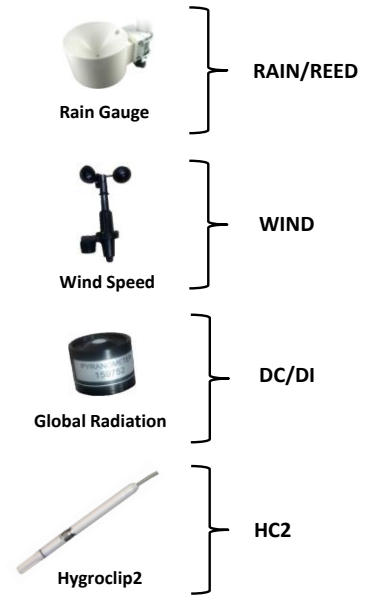
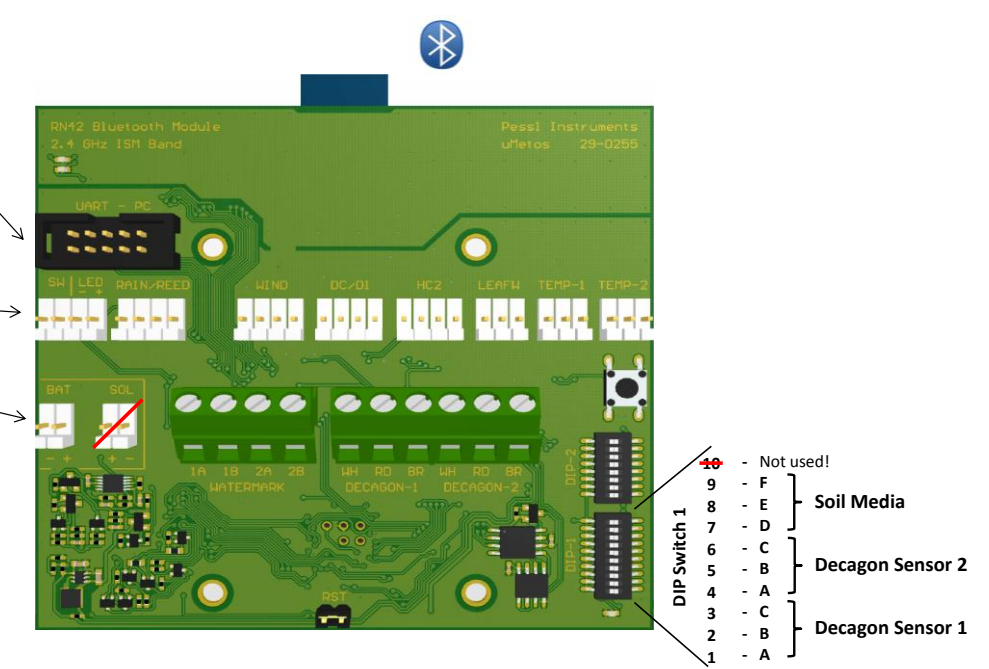
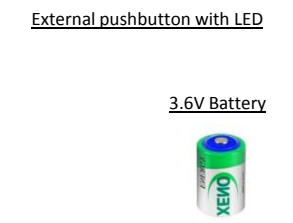
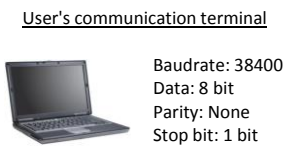
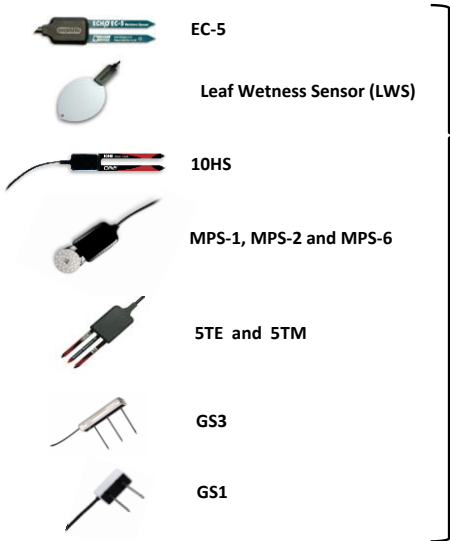


*** Connection schema of uMetos1.0 (29-0255)**

(Firmware version: uMetosBLUE10_v100.c)
(version 1.00, 08.06.2015)



DIP SWITCH 1 - SOIL MEDIA OPTIONS FOR VWC CALIBRATION OF DECAGON SENSORS													
D	E	F	Soil media	EC-5	10HS	LWS	MPS-1	MPS-2	MPS-6	5TE	5TM	GS3	GS1
0	0	0	Mineral soil	X	X					X	X	X	X
0	0	1	Potting soil	X	N/A					X	X	X	X
0	1	0	Rockwool	X	N/A	Not used!	Not used!	Not used!	Not used!	X	X	N/A	N/A
0	1	1	Perlite	X	N/A	Not used!	Not used!	Not used!	Not used!	X	X	X	X
1	0	0	Peat	N/A	N/A					N/A	N/A	X	X
others			"reserved"	N/A	N/A					N/A	N/A	N/A	N/A

* X - Available calibration.
* N/A - Not available! (For EC-5, 10HS, 5TE, 5TM, GS3, GS1 - Default mineral soil calibration)

DIP SWITCH 1 - DECAGON SENSOR OPTIONS			
A	B	C	Decagon sensor
0	0	0	EC-5
0	0	1	10HS
0	1	0	LWS
0	1	1	MPS-1
1	0	0	MPS-2 / MPS-6 / 5TE / 5TM / GS3
1	0	1	GS1
1	1	0	"reserved"
1	1	1	"reserved"